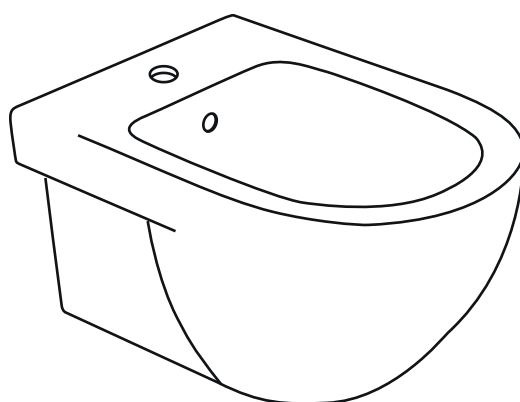


GSI[®]
ceramica

Declaration of performance



1. Unique identification code of the product-type:

Bidet(s) - The list of standard products is given in the annex.

2. Intended uses:

Personal hygiene (PH)

3. Manufacturer:

Gruppo Sanitari Italia S.p.A.
S.P. 150, Km 3,125
01035 Gallese (Viterbo), Italia
Tel. +39 0761 4911
Fax. +39 0761 496111
Email. info@gsiceramica.it

4. Representative:

Not Applicable

5. Consistency of Performance Assessment and Verification (AVCP) system(s):

System 4

6. Harmonized standard:


EN 14528:2015+A1:2018

8. Declared performance:

Essential characteristics	Performance	Harmonised technical specification
Cleanability (CA)	Pass	EN 14528:2015+A1:2018
Load resistance (LR)	Pass	
Overflow capacity (OF)	Pass	
Durability (DA)	Pass	

Diego Rossi – CEO
(Name and function)

Gallese – 01/04/2026
(place and date of issue)



(signature)

Appropriate technical documentation and/or specific technical documentation: **Not applicable**

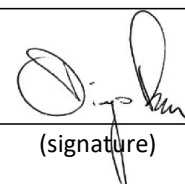
Declaration:

The performance of the product indicated above is in conformity with all the declared performances and are guaranteed with the exhaust devices indicated in the attached table. This declaration of responsibility is issued, in accordance with Regulation (EU) No. 305/2011, under the sole responsibility of the manufacturer indicated above.

Signed for and on behalf of the manufacturer by:

Diego Rossi – CEO
(Name and function)

Gallese – 01/04/2026
(place and date of issue)




(signature)

Product no.	Name	Product-type	Designation code	Characteristics
9162	City	Stand floor bidet	EN 14528 - CL20	OF - CA - LR - DA
9164	City	Wall-hung bidet	EN 14528 - CL20	OF - CA - LR - DA
9169	City	Stand floor bidet	EN 14528 - CL20	OF - CA - LR - DA
8762	Classic	Stand floor bidet	EN 14528 - CL20	OF - CA - LR - DA
8765	Classic	Wall-hung bidet	EN 14528 - CL20	OF - CA - LR - DA
8964	Kube	Wall-hung bidet	EN 14528 - CL20	OF - CA - LR - DA
8965	Kube	Wall-hung bidet	EN 14528 - CL20	OF - CA - LR - DA
9464	Kube X	Wall-hung bidet	EN 14528 - CL20	OF - CA - LR - DA
9465	Kube X	Wall-hung bidet	EN 14528 - CL20	OF - CA - LR - DA
9462	Kube X	Stand floor bidet	EN 14528 - CL20	OF - CA - LR - DA
8662	Norm	Stand floor bidet	EN 14528 - CL20	OF - CA - LR - DA
8664	Norm	Wall-hung bidet	EN 14528 - CL20	OF - CA - LR - DA
8665	Norm	Wall-hung bidet	EN 14528 - CL20	OF - CA - LR - DA
8668	Norm	Wall-hung bidet	EN 14528 - CL20	OF - CA - LR - DA
8667	Norm	Wall-hung bidet	EN 14528 - CL20	OF - CA - LR - DA
8861	Pura	Wall-hung bidet	EN 14528 - CL20	OF - CA - LR - DA
8862	Pura	Stand floor bidet	EN 14528 - CL20	OF - CA - LR - DA
8864	Pura	Wall-hung bidet	EN 14528 - CL20	OF - CA - LR - DA
8867	Pura	Wall-hung bidet	EN 14528 - CL20	OF - CA - LR - DA
8865	Pura	Wall-hung bidet	EN 14528 - CL20	OF - CA - LR - DA
8874	Pura	Wall-hung bidet	EN 14528 - CL20	OF - CA - LR - DA
8873	Pura	Wall-hung bidet	EN 14528 - CL20	OF - CA - LR - DA
8879	Pura	Stand floor bidet	EN 14528 - CL20	OF - CA - LR - DA
6462	Tono	Stand floor bidet	EN 14528 - CL20	OF - CA - LR - DA
8869	Pura	Stand floor bidet	EN 14528 - CL20	OF - CA - LR - DA
9062	Sand	Stand floor bidet	EN 14528 - CL20	OF - CA - LR - DA
9064	Sand	Wall-hung bidet	EN 14528 - CL20	OF - CA - LR - DA
9065	Sand	Wall-hung bidet	EN 14528 - CL20	OF - CA - LR - DA
9364	City pro	Wall-hung bidet	EN 14528 - CL20	OF - CA - LR - DA
9665	Nubes	Wall-hung bidet	EN 14528 - CL20	OF - CA - LR - DA
9662	Nubes	Stand floor bidet	EN 14528 - CL20	OF - CA - LR - DA
8465	Modo+	Wall-hung bidet	EN 14528 - CL20	OF - CA - LR - DA

Diego Rossi – CEO
(Name and function)

Gallese – 14/11/2024
(place and date of issue)

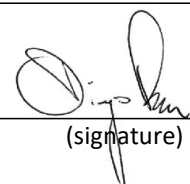


(signature)

Product no.	Name	Product-type	Designation code	Characteristics
9864	Modo	Wall-hung bidet	EN 14528 - CL20	OF - CA - LR - DA
9862	Modo	Stand floor bidet	EN 14528 - CL20	OF - CA - LR - DA

Diego Rossi – CEO
(Name and function)

Gallese – 14/11/2024
(place and date of issue)



(signature)